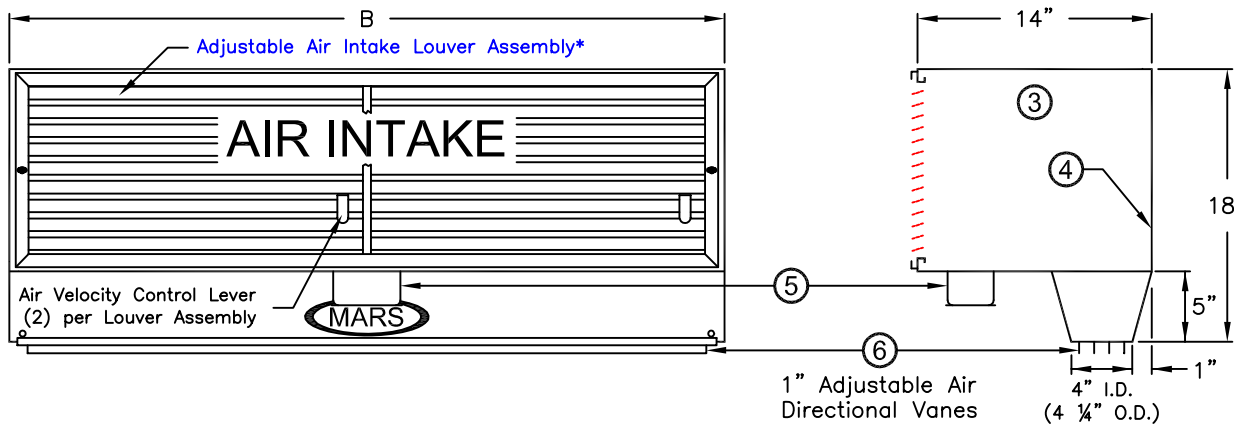


REAR VIEW



FRONT VIEW

END VIEW

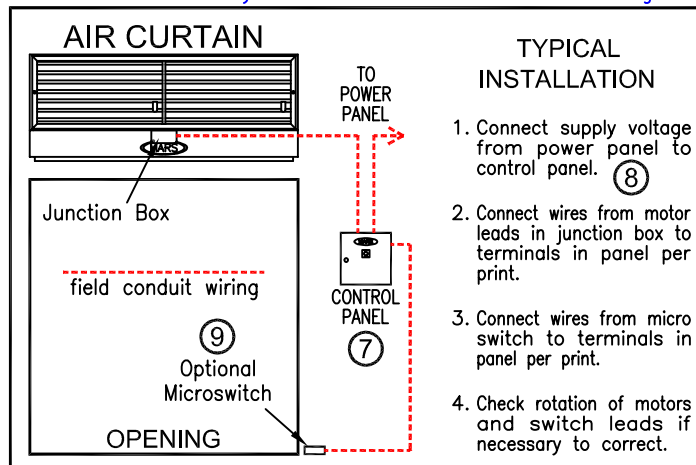
NOTES:

- ① This product is designed to comply with the National Electric Code (NEC) and is U.L. Listed.
- ② 7/16" mounting holes (4) provided, (2) on each end.
- ③ All units have a self contained one piece cabinet, fire retardant and corrosion proof paint lock metal, double protected with baked on gray color rust preventative electrostatic polyurethane powder coating.
- ④ Cabinet has sufficient strength for fastening to wall on both ends without intermediate support.
- ⑤ One watertight electrical junction box per motor mounted on bottom center of each motor/fan assembly. Specify for alternate locations.
- ⑥ Unit is to be installed such that air flow is unobstructed. Air discharge nozzle containing adjustable air directional vanes with 40° sweep front to back.
- ⑦ Optional motor control panel. Overloads are factory set. Standard procedure is to ship panel loose for remote mount. Can be factory mounted on either left or right hand side of air curtain housing. Please specify.
- ⑧ Circuit protection as per NEC by others.
- ⑨ Optional microswitch is field installed and is to be wired to the control panel. Switch to be mounted such that the air curtain turns on as door begins to open.



-2, -3 & -4 designates the number of motors. *NOTE: Louver assembly size and number varies with unit length.

MODEL NUMBER	MOUNTING CENTERS A	OVERALL LENGTH B
42HV	41 1/8"	42"
48HV	47 1/8"	48"
60HV	59 1/8"	60"
72HV-2	71 1/8"	72"
84HV-2	83 1/8"	84"
96HV-2	95 1/8"	96"
96HV-3	95 1/8"	96"
108HV-2	107 1/8"	108"
108HV-3	107 1/8"	108"
120HV-2	119 1/8"	120"
120HV-3	119 1/8"	120"
144HV-3	143 1/8"	144"
144HV-4	143 1/8"	144"



PROJECT	MODEL NO.
LOCATION	DRAWING NO.
ARCHITECT	DATE
ENGINEER	SHEET OF
	DRAWN BY
	CHECKED BY
	PROJECT NO.

14716 S. BROADWAY • GARDENA, CA 90248
 Phone: 310-532-1555 • 800-421-1266 • Fax: 310-324-3030
 WEB SITE: www.marsair.com • E-MAIL: marsinfo@marsair.com

1 HP HIGH VELOCITY UNHEATED MODELS

JOB: _____

ARCHITECT/ENGINEER: _____

DRWG.: _____

MARK	HIGH VELOCITY MODEL NUMBER	NO. REQ'D	LENGTH (in)	NET WEIGHT (lbs)	MOTOR FAN DATA								dBA Measured 10 ft. from Nozzle	REMARKS
					MOTOR HP	MOTOR RPM	VOLTS & PHASE	FLA (AMPACITY) THREE PHASE			MAX FPM at Nozzle	MAX CFM at Nozzle		
								208V 240V	460V	575V				
	42HV		3.5'	110	1	1750		3.3 (4.1)	1.6 (2.0)	1.3 (1.6)	4300	4000	70	
	48HV		4'	120	1	1750		3.3 (4.1)	1.6 (2.0)	1.3 (1.6)	4000	4000	70	
	60HV		5'	140	1	1750		3.3 (4.1)	1.6 (2.0)	1.3 (1.6)	3200	4000	70	
	72HV-2		6'	200	Two	1	1750	6.6 (8.2)	3.2 (4.0)	2.6 (3.2)	5140	8000	73	
	84HV-2		7'	210	Two	1	1750	6.6 (8.2)	3.2 (4.0)	2.6 (3.2)	4570	8000	73	
	96HV-2		8'	225	Two	1	1750	6.6 (8.2)	3.2 (4.0)	2.6 (3.2)	4000	8000	73	
	96HV-3		8'	235	Three	1	1750	9.9 (12.3)	4.8 (6.0)	3.9 (4.9)	4600	10,000	75	
	108HV-2		9'	245	Two	1	1750	6.6 (8.2)	3.2 (4.0)	2.6 (3.2)	3555	8000	75	
	108HV-3		9'	275	Three	1	1750	9.9 (12.3)	4.8 (6.0)	3.9 (4.9)	4800	10,000	75	
	120HV-2		10'	240	Two	1	1750	6.6 (8.2)	3.2 (4.0)	2.6 (3.2)	3200	8000	73	
	120HV-3		10'	300	Three	1	1750	9.9 (12.3)	4.8 (6.0)	3.9 (4.9)	4800	12,000	75	
	144HV-3		12'	310	Three	1	1750	9.9 (12.3)	4.8 (6.0)	3.9 (4.9)	4800	12,000	75	
	144HV-4		12'	350	Four	1	1750	13.2 (16.5)	6.4 (8.0)	5.2 (6.4)	5140	16,000	75	

EQUIPMENT SPECIFICATIONS - Standard Features

GENERAL

Air curtain shall be a Mars Air Doors® brand air curtain: Type High Velocity Unheated.

APPROVALS

Air curtain shall be Underwriters Laboratories Listed, Canadian Standard Association Certified and meet the requirements of the National Electric Code.

CABINET

Cabinet shall be a self contained one piece housing with sufficient strength for fastening to wall on both ends without intermediate support. Cabinet constructed of fire retardant, corrosion proof paint lock metal and double protected with gray baked rust preventative electrostatic polyurethane powder coating. Cabinet to have mechanically field adjustable variable intake louver assembly capable of reducing outlet air velocity up to 60% with louver in totally closed position. Discharge air outlet nozzle shall be wedge shaped containing adjustable air directional vanes with 40° sweep front to back. Motor/Fan assembly to be easily accessible for maintenance.

MOTORS AND BLOWER WHEELS

Motor(s) shall be totally enclosed air over (TEAO) type suitable for continuous heavy duty, all angle operation. Construction shall include sealed lifetime pre-lubricated ball bearings, resilient mounted and protected by an automatic reset thermal overload switch. Motor(s) to have double extended shaft and direct drive, double inlet, dynamically balanced forward curved squirrel cage blower wheels.

ELECTRICAL WIRING

Each motor to have a watertight junction box to be mounted on bottom center of each motor/fan assembly. Specify for alternate locations.

GUARANTEE

Shall be five years on all parts.

An equipment specification can be prepared by combining the standard features with the checked boxes below indicating the selection of the optional features.

OPTIONAL FEATURES

When checked below, the air curtain will be supplied with the following special features.

- Explosion proof motors
- Two speed motor (Available in single phase only)
- Door microswitch(s) (20 amp) for automatic on/off control. Turns air curtain on when door is opened and off when door is closed. Field installed.

NOTE: All 3 Phase Motors or Single Phase Combined Motors greater than 1 Hp or over 250Vac or greater then 20 Amps require a motor control panel whenever a door microswitch is used to start and stop the air curtain. A door microswitch may be used to directly control one 1 HP or one or two 1/2 HP, single phase motors without the need for a motor control panel. (As long as it does not exceed 20 AMPS or 250 VAC)

- Wall mounted control panel Factory mounted control panel on air curtain
- Indicate the total number of motors to be powered through panel
 - 1 2 3 4 5 6
- Plates for side extension of mounting points
 - 5 inch extension 7 inch extension 9 inch extension
- Adjustable mounting brackets to clear any wall obstruction of air flow
 - 2 ½ inch clearance 4 inch clearance 7 inch clearance 10 inch clearance
- Extended Wall Mounting Brackets for drum type roll-up doors
 - 10 inch clearance 16 inch clearance 19 inch clearance 23 inch clearance
- All stainless steel housing
- Washable aluminum air filter
 - In lieu of adjustable inlet air louver
 - In conjunction with adjustable inlet air louver

1 HP HIGH VELOCITY UNHEATED MODELS